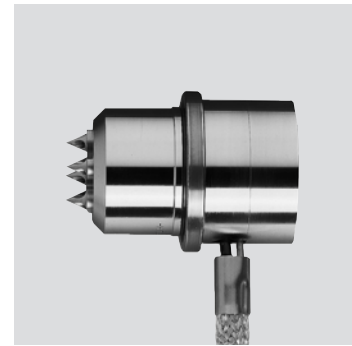


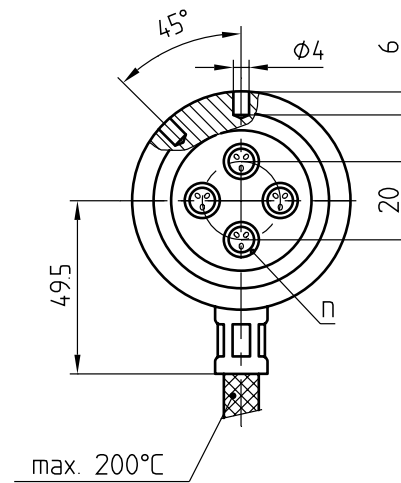
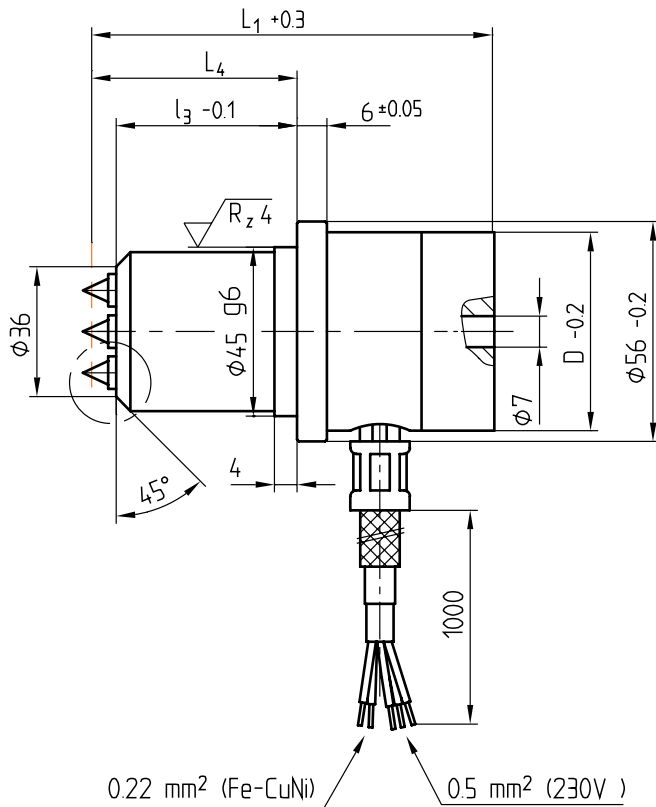
Z101M/4/...

230 V~

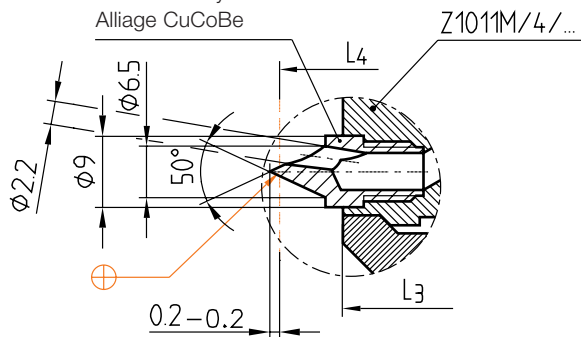
⎯+ = Fe-CuNi
⎯- = Fe-CuNi



► Info



CuCoBe-Legierung
CuCoBe-alloy
Alliage CuCoBe



max. °C	Watt	l ₃	L ₄	Typ	n	D	L ₁	Nr./No.
280	400	31	49	50x78	4	56	78	Z101M/4/50x78

This is trial version
www.adultpdf.com